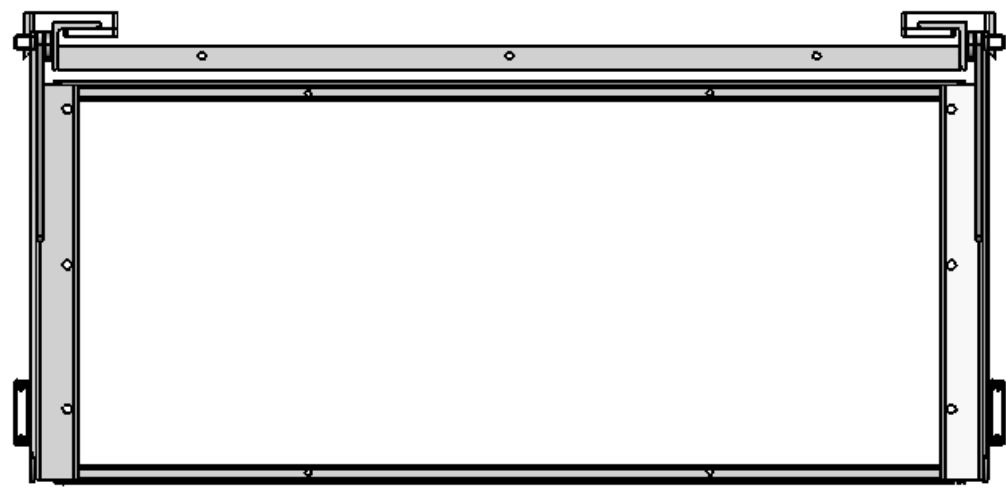


8 7 6 5 4 3 2 1

D
C
B
A

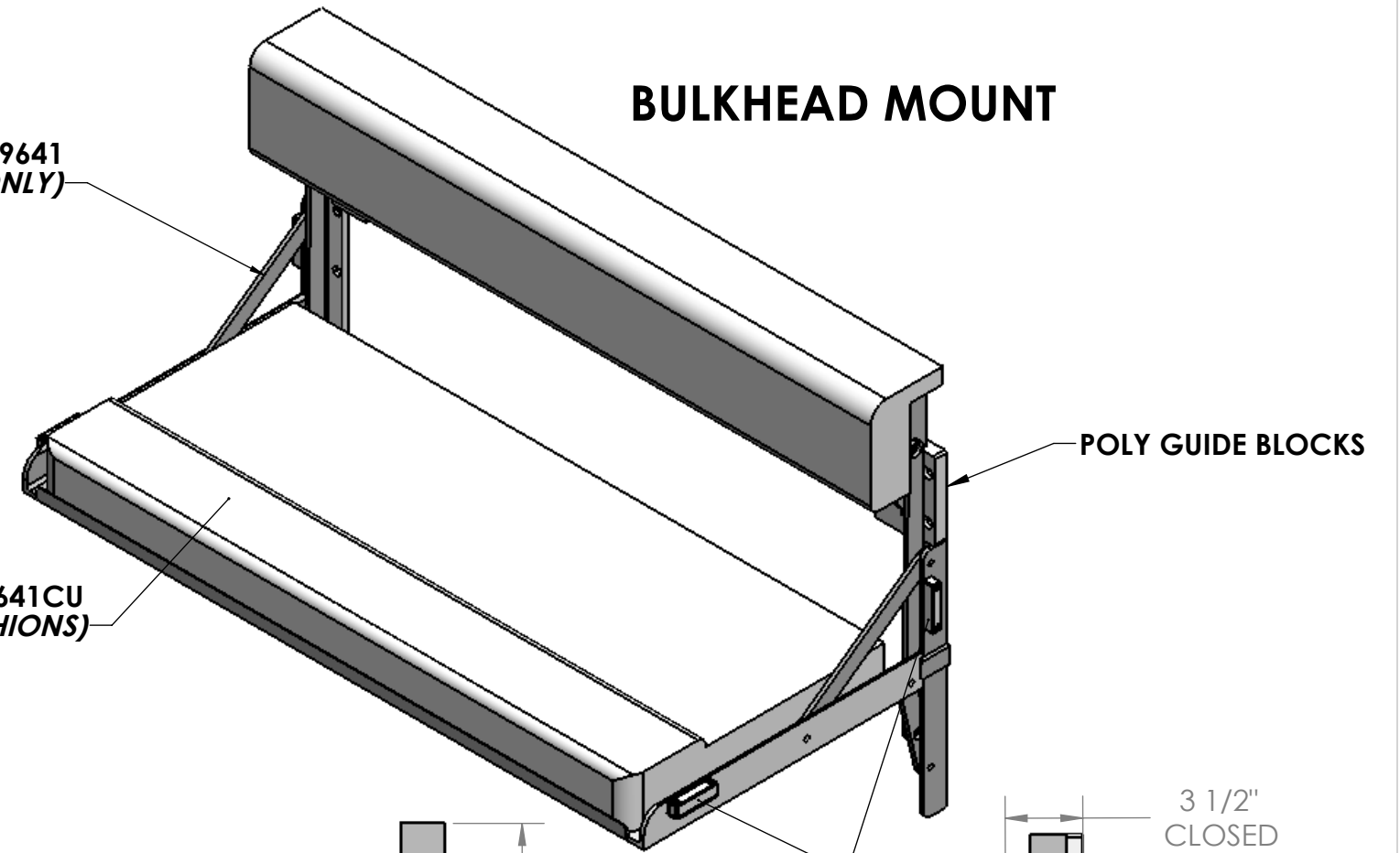
D
C
B
A



PART# 4-19641
(FRAME ONLY)

PART# 4-19641CU
(FRAME/CUSHIONS)

BULKHEAD MOUNT



POLY GUIDE BLOCKS

MAGNETS

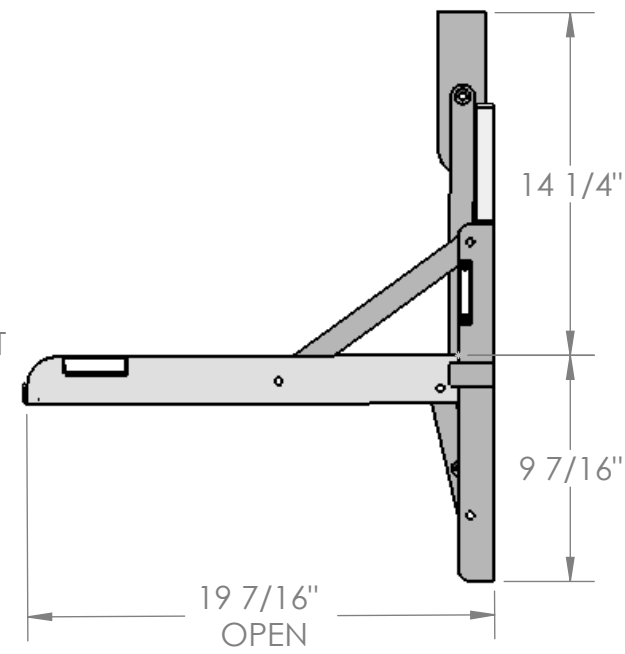
3 1/2"
CLOSED



23 11/16"
(O.A.H.)

19 7/8"
REQ'D TO MOUNT
(MIN)

40"
(REF.)



14 1/4"

9 7/16"

19 7/16"
OPEN

UNLESS OTHERWISE SPECIFIED:		G.G. Schmitt & Sons 2821 Old Tree Drive Lancaster, PA 17403 717-394-3701 7230 15th Street East Sarasota, FL 34243 941-360-1967			
DIMENSIONS ARE IN INCHES TOLERANCES: FRACTIONAL ± 1/64" ANGULAR: MACH ± 1 Deg. BEND ± 1 Deg. TWO PLACE DECIMAL ± .03" THREE PLACE DECIMAL ± .015"					
PROPRIETARY AND CONFIDENTIAL		TITLE: BULKHEAD SEAT W/HINGING BACKREST			
THE INFORMATION CONTAINED IN THIS DRAWING IS THE SOLE PROPERTY OF G.G. SCHMITT & SONS. ANY REPRODUCTION IN PART OR AS A WHOLE WITHOUT THE WRITTEN PERMISSION OF G.G. SCHMITT & SONS IS PROHIBITED. DO NOT SCALE DRAWING	SIZE B	DWG. NO. 4-19641	CUSTOMER NO. N/A	DRAWN BY: GAT	REV 0
		SCALE: 1:8	DATE: 6/22/2009	SHEET 2 OF 2	

NOTE:
ALL DIMENSIONS ARE FOR REFERENCE ONLY

8 7 6 5 4 3 2 1